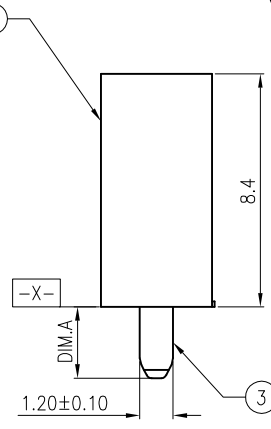
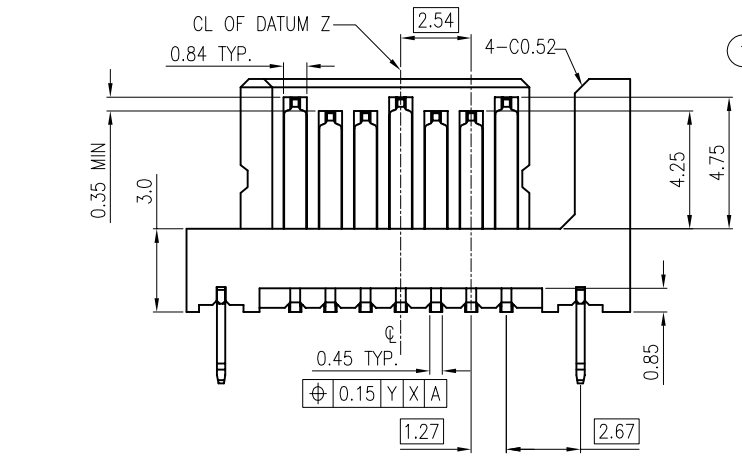
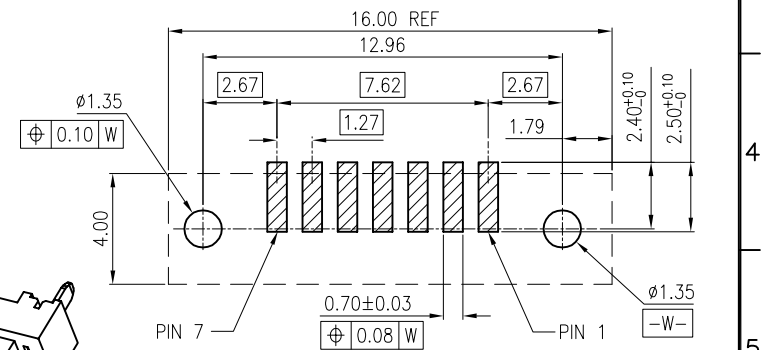
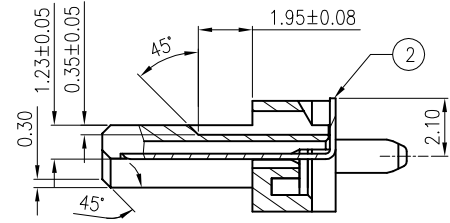
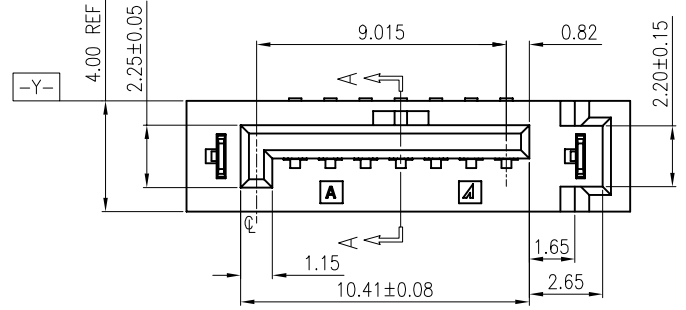
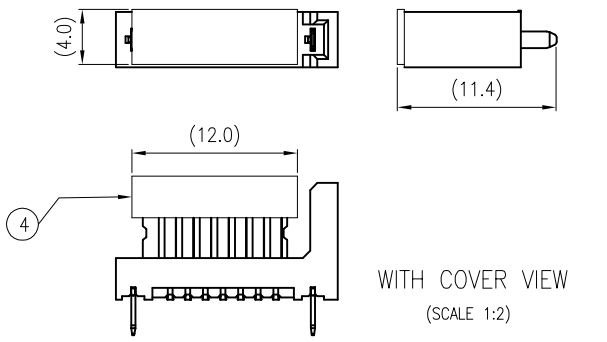


- NOTES:
- MATERIAL:
 - HOUSING: THERMOPLASTIC, HIGH TEMP. UL94V-0; LCP ;COLOR:BLACK.
 - CONTACT: COPPER ALLOY
 - FINISH:
 - CONTACT:
 - GOLD FLASH PLATING OVER ALL
 - 50u"MIN. NICKEL UNDER PLATING
 - LOCK:
 - 50u"MIN. MATTE TIN PLATED OVERALL,
 - 50u"MIN. NICKEL UNDERPLATING OVERALL.
 - REFLOW SOLDER CAPABLE TO 260°C PER ACES SPEC.
 - SPEC. PLS. REFER TO PS-50886-xxxx-xxx
 - PACKAGE PLS. REFER TO 50821-xxxx-xx-TRP
 - PART NUMBER: 50821-XXX X X-XXX

NO OF CKT: 007:7PIN

NO	PLATING	NO	PLATING
0	TAPE & REEL	2	GOLD FLASH
7	TAPE & REEL WITH COVER	C	15U" GOLD



NO.	DESCRIPTION	QTY	MATERIAL	FINISH&COLOR
4	COVER	1	Hologen Free PLASTIC,HIGH TEMP LCP UL94V-0	BLACK
3	BOARD LOCK	2	COPPER ALLOY	MATT TIN
2	CONTACT	7	COPPER ALLOY	GOLD PLATED
1	HOUSING	1	Hologen Free PLASTIC,HIGH TEMP LCP UL94V-0	BLACK

QUALITY SYMBOLS MAJOR Ⓜ CRITICAL Ⓢ GENERAL TOLERANCES (UNLESS SPECIFIED) X ±0.5 .X ±0.25 .XX ±0.15 .XXX ±0.1 ANGLES ±2°	DRAWN BY: LuTaoTao CHECKED BY: XuZhiYong APPROVED BY: XuZhiYong	DATE: 21/11/23 DATE: 21/11/23 DATE: 21/11/23	
	TITLE: SATA CONN HOST 1.27MM PITCH PLUG.VERTICAL SMT TYPE		
UNITS: mm SCALE: 1:1	SHEET NO.: 1 OF 1	REV: C	SIZE: A4